



**E346**

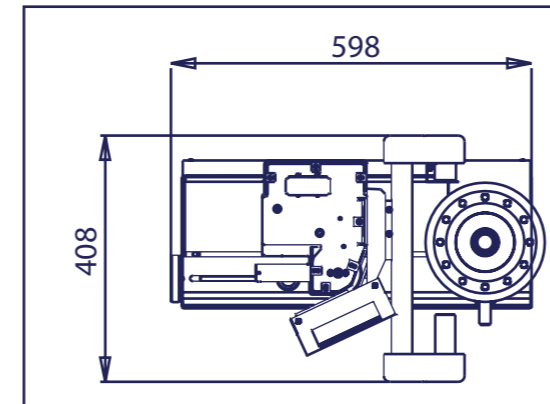
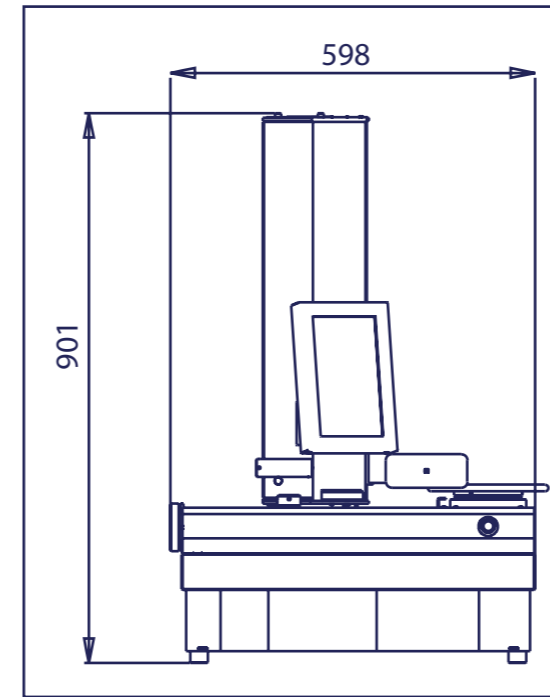
**E346**

TOOL PRESETTER  
rock solid measurement



**TECHNICAL FEATURES**

- Measuring range: diameter max 360 mm (radius 180 mm); height max 460 mm
- Machine structure in electro-welded and detensioned steel
- Base and column made of natural granite: linearity max error 2 µm/Mt certification with Taylor Hobson res.1 µm/Mt electronic millesimal level
- ISO/BT/HSK/CAPTO... etc. interchangeable rotating spindle-holder (to be specified) max run-out error < 4 µm
- Double vault arc prismatic slideways: N°2 X axis slideways; N°1 Z axis slideway
- Double re-circulating ball bearing slides, lubricated for life (3) (preloaded slides/slideways: P/H class)
- Manual mechanical braking of the interchangeable spindle-holder rotation
- Costant load Archimedean spiral spring (as opposed a mass counter-balance system)
- Vision-system for tool measuring including:
  - TFT colour  $\varnothing$  110 x 200 mm image size
  - Magnifications 25X
  - C-MOS sensor-framed image area 4,8 x 4,8 mm
  - Cutting inspection
- Machine operator interface through:
  - TFT 9" colour Touch Screen
  - ELBO CONTROLLI firmware
  - Data storage on Flash memory
- Standard software:
  - 9 numerical machine origin management
  - 9 numerical tool tables management, each of them composed of 99 tools
  - Tool corrector specific storage of: T, Lx, Lz, insert radius
  - Td346 (Tool Data 346) to manage backup and restore functions, machine origins and tool tables.
- Connection to the PC with an USB port and electronic Bios upgrade
- Analog comparators to measure on the fix reticule
- Telecentric lens and LED illuminator
- Axes resolution: X = 1 µm, Z = 1 µm
- Overall dimensions: L = 598mm, H = 901mm, D = 408mm
- Net weight: 77 kg



Distributed by

20821 MEDA (MB) - Italy - Via San Giorgio, 21  
T. +39 0362 342745 - F. +39 0362 342741  
www.elbocontrolli.com - info@elbocontrolli.it

TOOL PRESETTER  
rock solid measurement





Interchangeable revolving spindle  
ISO, BT, HSK, .....

Concentricity accuracy:  
lower to 4 µm



Spindle rotation brake  
is provided with an  
adjustable clutch



X axis movement  
- Rapid: with mechanical axis release  
- Micrometric: manual for high precision



Z axis movement  
- Rapid: with mechanical axis release  
- Micrometric: manual for high precision



### Cutting Edge Inspection

Particularly useful to check the tool cutting edge status.  
It's possible to detect damaged areas and/or wear of the cutting edge



Tool profile collimation on fix reticule with X and Z axes analog comparators: axes control bars for the exact central position of the measure



Automatic cutting edge measure. After having found the central position by means of focus bars, on the axes counters the measurement is shown without additional operations



Autotargeting measurement: the viewed profile of the geometrical entities are automatically detected. The values of radii, angles, X and Z axes can be stored and/or printed on the label



### TD 346

The software allows to generate the tool corrector files in more than 50 CNC machine-specific formats

## ACCESSORIES



### Labels Printer

All the characteristic values of the tool are printed on the label



### Machine Stand

Very solid and ergonomic, makes the job easier. Three pots for the spindle-holders have been added on a lateral line. To avoid damage to the ground areas of the spindle-holders, a shock-absorbing material has been introduced

Dimensions: 730 x 800 x 500 mm  
Weight: 58 Kg